

DOT MATRIX VFD MODULE M204SD01AA INSTRUCTION MANUAL

GENERAL DESCRIPTION

Futaba Vacuum Fluorescent display Module M204SD01AA, with VFD 204-SD-01G display, produces 20 digits on 4 rows.

Each character is displayed in 5X7 dot matrix.

Consisting of a VFD, microcomputer, driver IC, the module can be connected directly to the system bus, thus simplifying interfacing.

The bright and aesthetically pleasing VFD makes the module desirable for an application in office equipments, such as computer terminals, measuring equipment, etc.

CONTENTS

	Page
1) FEATURES	1
2) GENERAL DESCRIPTIONS	2-5
2-1 MECHANICAL DRAWING	3
2-2 BLOCK DIAGRAM	4
2-3 ELECTRICAL CHARACTERISTICS	5
3) FUNCTIONS	6-13
3-1 DATA AND CONTROL CODE WRITE-IN	6-12
3-2 SELF-TEST	12
3-3 POWER ON RESET	12
3-4 SELECTION OF INPUT MODE	11-13
4) INTERFACE CONNECTION	13-19
4-1 CONNECTER PIN CONNECTION	13
4-2 THE LOCATION OF THE COMPONENTS	14
4-3 WRITE-IN TIMING	14-16
4-4 INTERFACE TO CPUS	17-18
4-5 CONNECTION TO I/O DEVICES	18-19
5) OPERATING RECOMMENDATION	20

1) FEATURES:

1. Using an one chip micro computer, the module can be connected to the system bus directly.
2. Two hundred sixteen different characters consisting of alpha-numeric and other symbols can be displayed.
3. Since a DC-DC converter is included, only a 5 V power source is required to operate the module.
4. High quality reliability and long life can be achieved with FUTABA VFD.
5. Either parallel or serial mode can be selected as the data input form.
6. The module is small, light and thin mechanical sizing allows for maximum reliability.
7. The module's surface mount components allow for maximum reliability.
8. The module has up to three definable characters, they can be displayed as original fonts.
9. Four levels of brightness control is available.

2) GENERAL SPECIFICATIONS

The number of digits	20 digits, 4 rows
Digit configuration	5X7 dot
Character configuration	Equivalent to ASCII code
Digit height	5.0 mm
Digit width	3.2 mm
Dot pitch	0.69X0.75 mm
Dot size	0.5X0.44 mm
Digit pitch	4.55X9.0 mm
Peak wave length of illumination	Green (505 nm)
Luminance	690 cd/m ² (200fL)
Weight	Approx. 145 grams

THE MODULE STRUCTURE

Mechanical dimension; Fig.1
Block diagram ; Fig.2

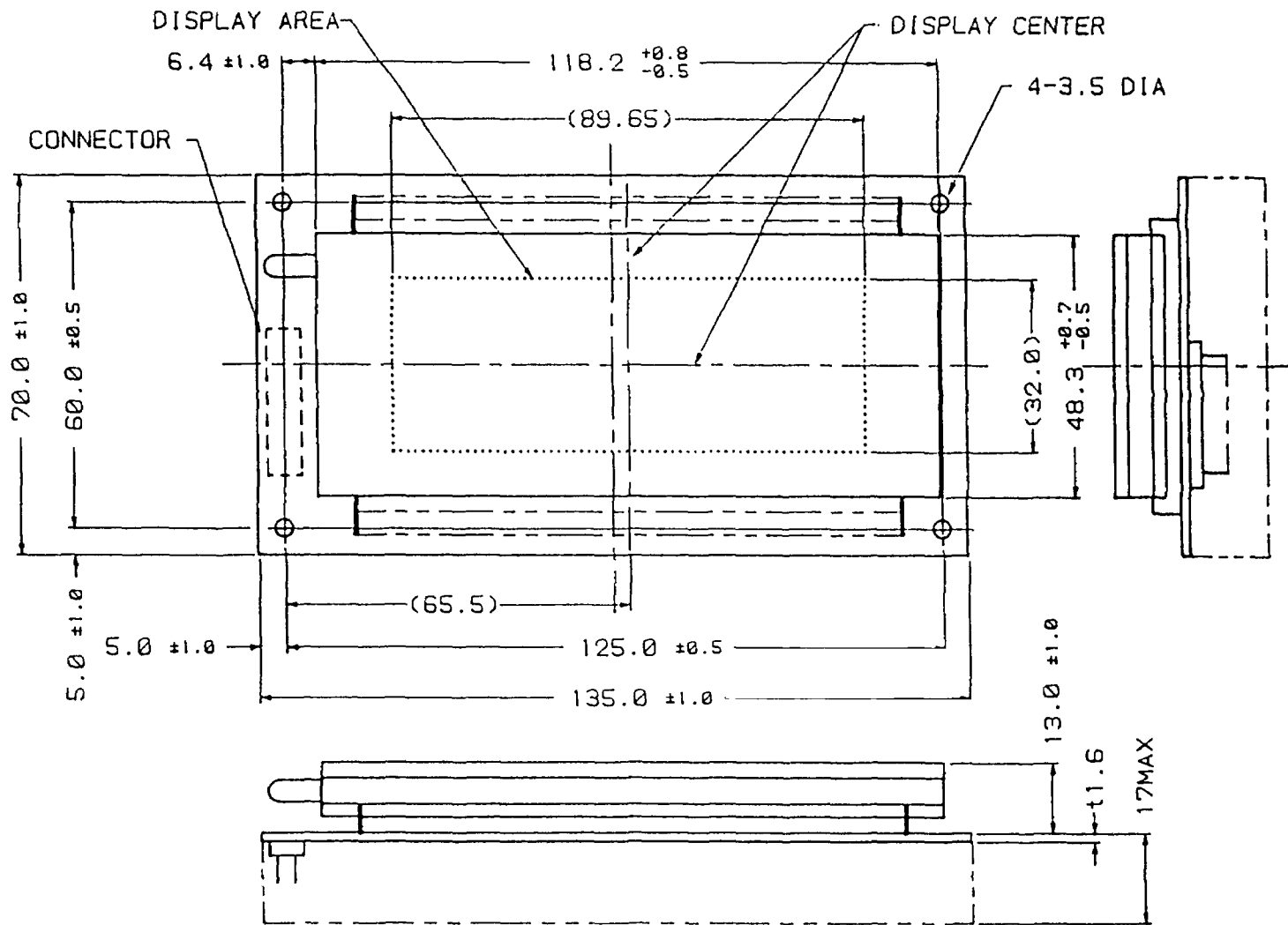


FIG.1 MECHANICAL DRAWING

UNIT : mm

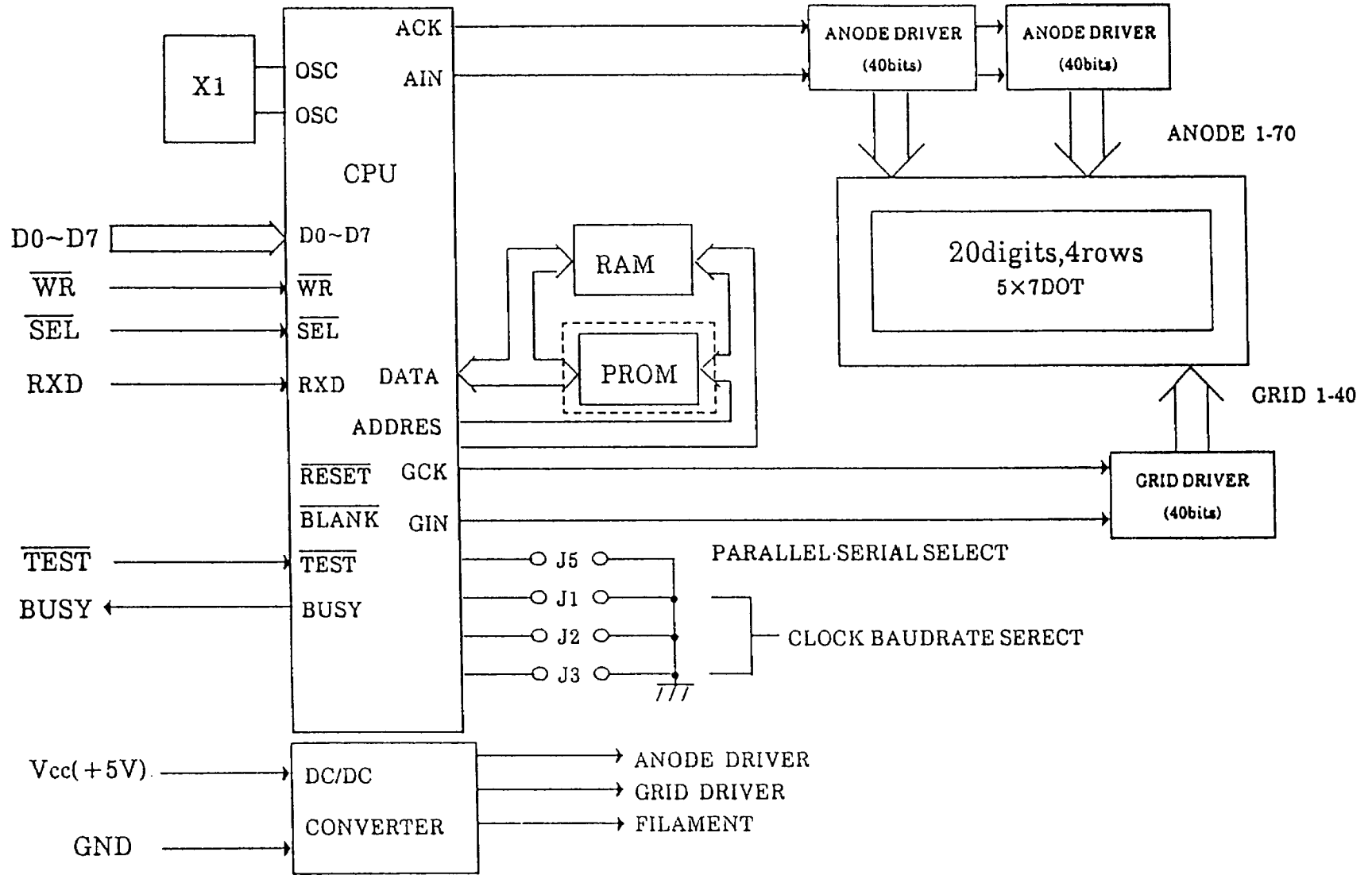


FIG.2 BROCK DIAGRAM

ABSOLUTE MAXIMUM RATINGS

ITEM	SYMBOL	MIN.	MAX.	UNIT
SUPPLY VOLTAGE	V _{cc}	-	7	V _{dc}
OPERATING TEMPERATURE	T _{opr}	- 20	+ 70	°C
STORAGE TEMPERATURE	T _{stg}	- 20	+ 70	°C
OPERATING HUMIDITY	H _{opr}	20	85	%
STORAGE HUMIDITY	H _{stg}	20	90	%
VIBRATION(10 to 55 Hz)	-	-	4	G
SHOCK	-	-	40	G

TABLE-1

RECOMMENDED OPERATING CONDITIONS

ITEM	SYMBOL	MIN.	TYP.	MAX.	UNIT
SUPPLY VOLTAGE	V _{cc}	4.5	5.0	5.5	V _{dc}
H-LEVEL INPUT VOLTAGE	V _{IH}	2.0	-	-	V
L-LEVEL INPUT VOLTAGE	V _{IL}	-	-	0.8	V

TABLE-2

ELECTRICAL CHARACTERISTICS

ITEM	SYMBOL	CONDITION	MIN.	TYP.	MAX.	UNIT
SUPPLY CURRENT	I _{cc} *	V _{cc} = 5V _{dc}	-	0.75	1	A
H-LEVEL INPUT CURRENT	I _{IH}	V _{IH} = 2.0V	-	-	20	μA
L-LEVEL INPUT CURRENT	I _{IL}	V _{IL} = 0.8V	-	-	-0.4	mA
LUMINANCE	L	-	340	-	-	cd/m ²

TABLE-3

NOTE) * At power on the surge current may reach approx. 10 times the specified current.

3) FUNCTIONS

The module has data and control code write, self test and power on reset functions.

3-1. DATA AND CONTROL CODE WRITE-IN

	$\overline{\text{TEST}}$	$\overline{\text{SEL}}$	$\overline{\text{WR}}$	Function
Parrallel or serial interface	0	-	-	Self Test Mode
Parrallel interface	1	0	0	Data and control code write
Serial interface	1	NC	NC	Data and control code write

NC : No connection
 0 : Low level (0V)
 1 : High level (5V)
 - : Irrelevant induded no connection

TABLE-4 THE BASIC FUNCTIONS

When the data is being written in, the BUSY signal is active which indicates that the module is processing the data.

(When the data is under processing, the BUSY signal is high "1".)

The data or control command is to be written in at the rising edge of $\overline{\text{WR}}$ (0→1), when $\overline{\text{SEL}}$ = "0", and $\overline{\text{TEST}}$ =high "1".

The display character form follows equivalent to ASCII (Alphabet, Numerics and Symbols etc.).

After a character is written in, the write-in position will be shifted to the right one digit automatically.

The above action can be executed, only when the BUSY signal is low "0".

	D7	0	0	0	0	0	0	0	0	1	1	1	1	1	1	1	
	D6	0	0	0	0	0	0	0	0	0	0	0	0	0	0	0	
	D5	0	0	1	1	0	0	1	1	0	0	0	0	0	0	0	
	D4	0	1	0	1	0	1	0	1	0	1	0	1	0	1	1	
D3D2D1D0		0	1	2	3	4	5	6	7	8	9	A	B	C	D	E	F
0 0 0 0	0		DP		0	1	2	3	4	5	6	7	8	9	A	B	C
0 0 0 1	1		DC1	!	1	A	Q	a	q	0	9	e	a	E	E	0	2
0 0 1 0	2		DC2	"	2	B	R	b	r	e	e	e	a	R	U	m	+
0 0 1 1	3	DEF		#	3	C	S	c	s	a	a	a	a	E	E	E	E
0 1 0 0	4	DIM		\$	4	D	T	d	t	e	e	e	e	X	T	0	*
0 1 0 1	5			%	5	E	U	e	u	e	a	a	a	"	A	A	*
0 1 1 0	6			&	6	F	V	f	v	a	a	a	a	e	E	E	E
0 1 1 1	7			'	7	G	W	g	w	c	c	c	c	X	3	T	0
1 0 0 0	8	BS		(8	H	X	h	x	e	e	e	e	e	e	0	0
1 0 0 1	9	HT)	9	I	Y	i	y	e	o	o	o	o	o	o	+
1 0 1 0	A	LF		*	:	J	Z	j	z	e	o	o	o	o	o	o	+
1 0 1 1	B			+	:	K	E	k	e	e	e	e	e	e	e	e	*
1 1 0 0	C			,	<	L	V	l	v	e	e	e	e	e	e	e	*
1 1 0 1	D	CR		-	=	M	I	m	i	e	e	e	e	e	UF0	0	0
1 1 1 0	E			.	>	N	^	n	^	e	e	e	e	UF1	3		
1 1 1 1	F	RST		/	?	O	_	o	_	0	0	0	0	UF2	4	0	

TABLE-5 DISPLAY CHARACTER CODE

CONTROL CODE

The control codes are available as follows.

The details will be explained on the next page.

- (1) DEF : Define Characters UF0~2 : (03 HEX)
- (2) DIM : Dimming : (04 HEX)
- (3) BS : Back Space : (08 HEX)
- (4) LF : Line Feed : (0A HEX)
- (5) CR : Carriage Return : (0D HEX)
- (6) DP : Display Position : (10 HEX)
- (7) DC1 : Normal Display Mode : (11 HEX)
- (8) DC2 : Vertical Scroll Mode : (12 HEX)
- (9) RST : Reset : (1F HEX)

4-3. INTERFACE TO CPUS

Since this module is designed to be directly connected to the bus line, the interface can be simplified.

Fig.8 and Fig.9 show examples for interfacing to typical CPUs.

4-4. CONNECTION TO I/O DEVICES

Fig.10, Fig.11 and Fig.12 show examples for connecting to typical I/O devices.

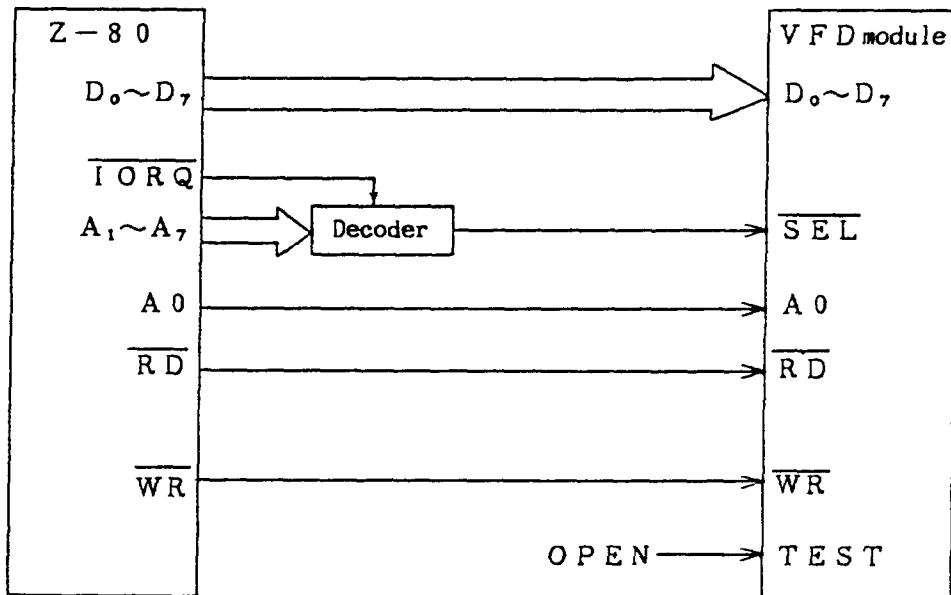


FIG.8 CONNECTION TO Z-80

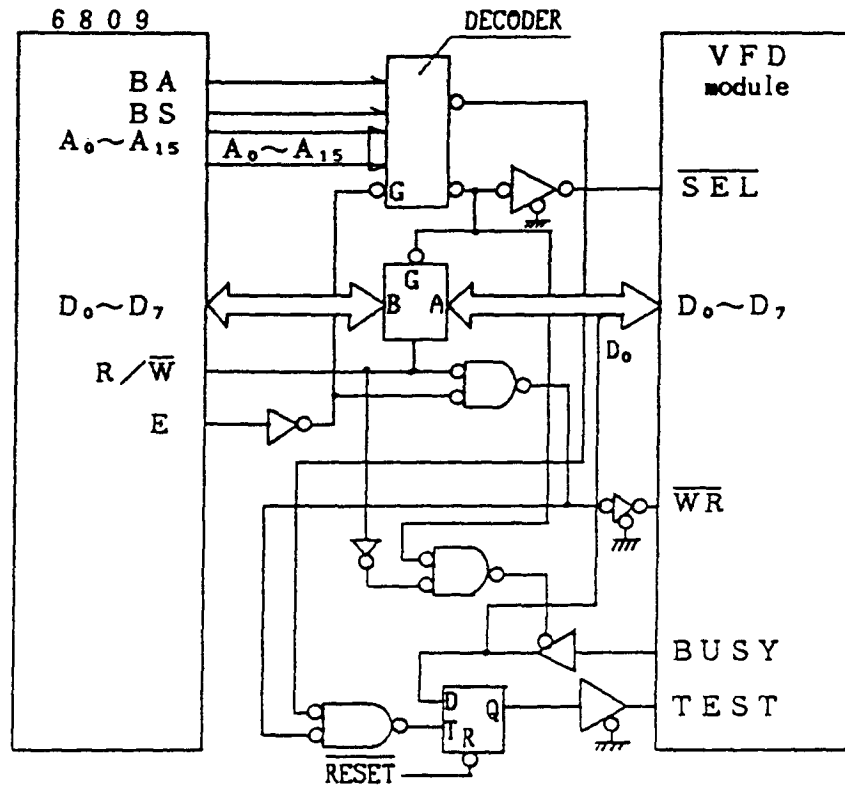


FIG.9 CONNECTION TO 6809

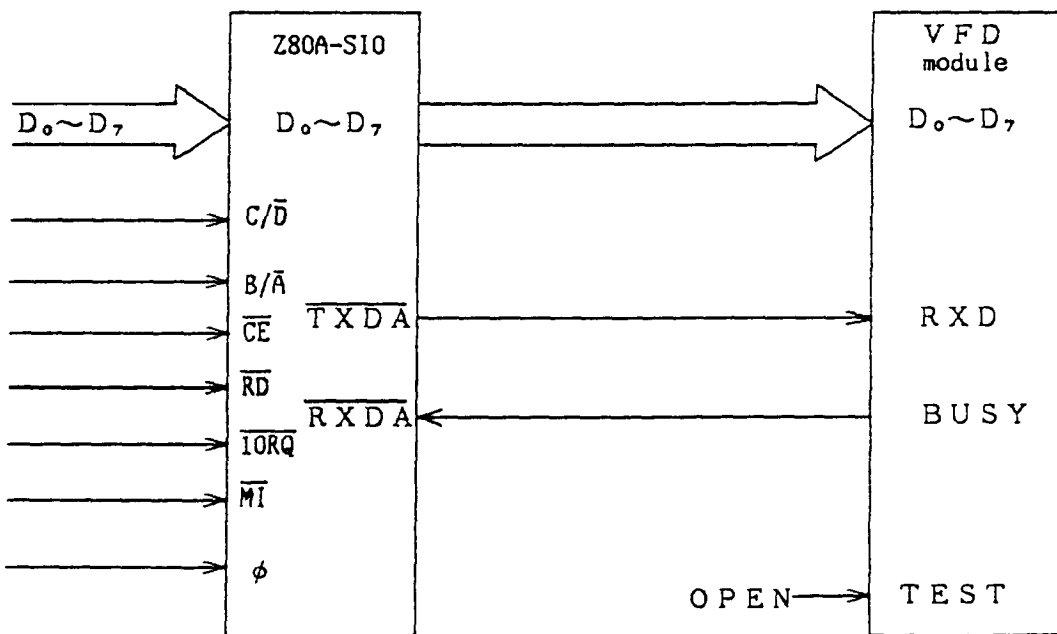


FIG.10 CONNECTION TO Z80A-S10

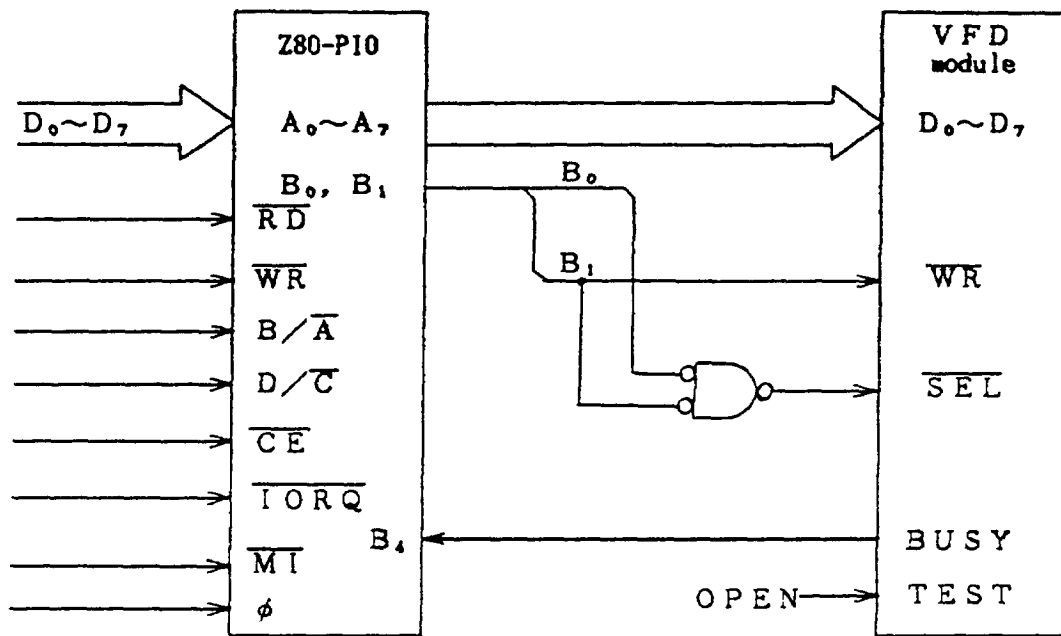


FIG.11 CONNECTION TO Z80-PIO

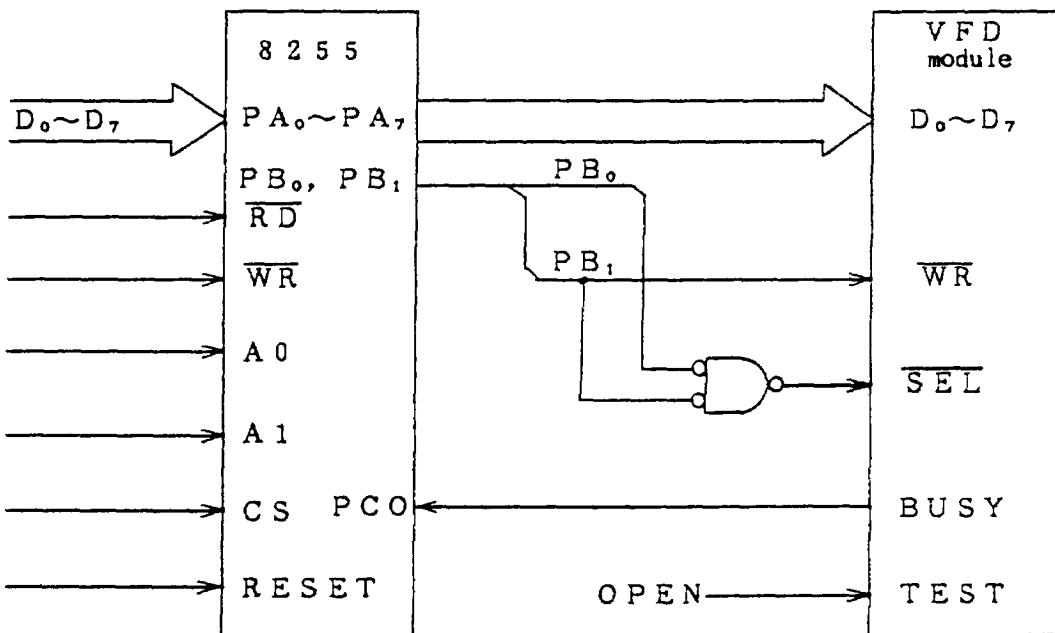


FIG.12 CONNECTION TO 8255

5) OPERATING RECOMMENDATIONS

1. Avoid applying excessive shock or vibration beyond the specification for this module.
2. Since VFDs are made of glass material, careful handling is important.
3. Applying lower voltage than specified may cause non activation for the selected pixels.
Conversely, higher voltage may cause non-selected pixels to be activated. If users observe the above phenomenon, check the voltage level of the power supply.
4. Avoid plugging or unplugging the interface connection with the power on.
5. If the start up time of the supply voltage is slow, the CPU may not be reset. The supply voltage must be risen up to a specified voltage level within 30msec.
6. When power supply is turned on, such as 5A, 1msec of rush current may flow, because DC/DC converter is equipped on the module.
7. Avoid using the module where excessive noise interference is expected. Noise affects the interface signal and causes improper operation. Keep the length of the interface cable less than 50cm (When the longer cable is required, please contact FUTABA engineering.).
8. When power supply is turned off, the capacitor isn't discharged immediately. The high voltage applied to the VFD must not contact the controller IC. (The shorting of the mounted components within 30sec. after power off may cause damage.)

REMARKS :

This specification is subject to change without prior notice in order to improve the design and quality.

Your consultation with our engineer is recommended for the use of this module.

4-2. THE LOCATION OF THE COMPONENTS

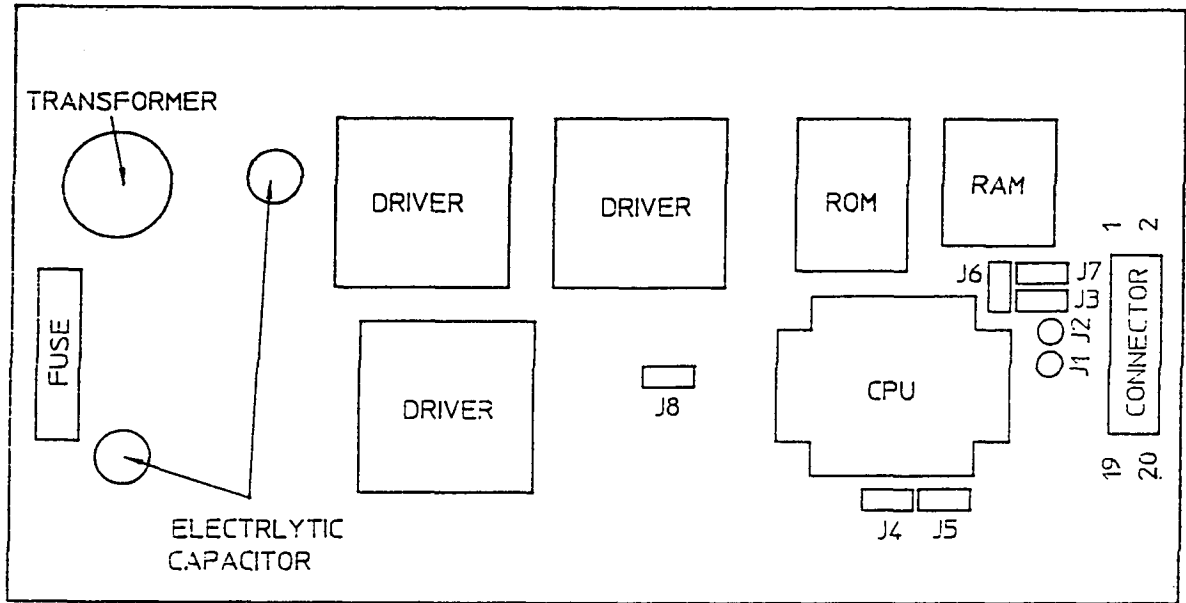
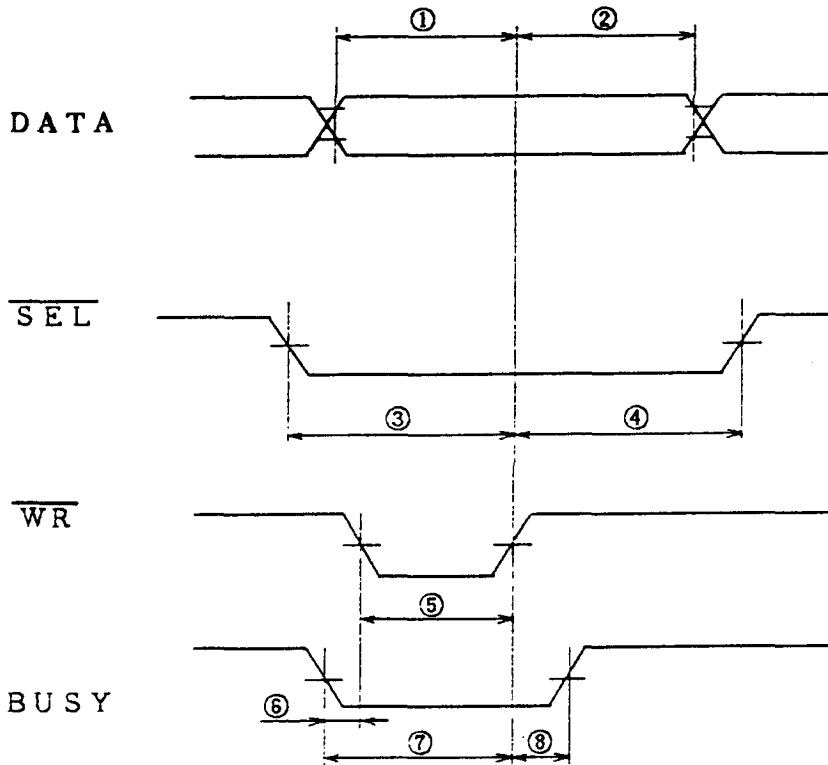


FIG.5 THE LOCATION OF THE COMPONENTS

4-3. WRITE-IN TIMING

See FIG.6, FIG.7.

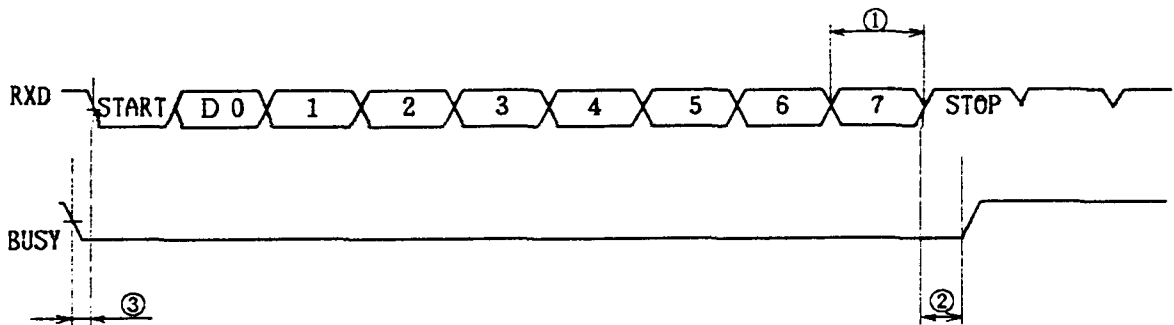
PARALLEL INPUT



		MIN	MAX	Note
①	$t_{su}(\text{DATA})$	65 ns	—	
②	$t_{h}(\text{DATA})$	55 ns	—	
③	$t_{su}(\overline{\text{SEL}})$	75 ns	—	
④	$t_{h}(\overline{\text{SEL}})$	0 ns	—	
⑤	$t_{pw}(\overline{\text{WR}})$	75 ns	—	
⑥	$t_{wait}(1)$	0 ns	—	
⑦	$t_{wait}(2)$	200 ns	—	For Min 200ns, $\overline{\text{WR}}$ should not be active (positive H), after BUSY is "0".
⑧	t_{delay}	—	50 ns	

FIG.6 WRITE-IN TIMING

SERIAL INPUT



① $t(\text{DATA}) = 10^6 / \text{baud rate} [\mu\text{s}]$

(This depends on the selection of the baud rate.)

② $t(\text{DATA}) / 2 [\mu\text{s}]$ (BUSY becomes "1" at the center of stop bit.)

③ $t(\text{WAIT}) : 0 [\mu\text{s}]$ (START should be active ("0"), after BUSY is "0".)

FIG.7 WRITE-IN TIMING

(1) DEF (Define UF0~2) :

The DEF command defines user definable characters, UF0~2. (up to 3 fonts)
 These fonts are stored in the module as follows.

1 Byte
 DEF command code,
 (03 H)

1 Byte
 Position code
 (C9H to CFH)

5 Byte
 the font data

1-1	2-1	3-1	4-1	5-1
1-2	2-2	3-2	4-2	5-2
1-3	2-3	3-3	4-3	5-3
1-4	2-4	3-4	4-4	5-4
1-5	2-5	3-5	4-5	5-5
1-6	2-6	3-6	4-6	5-6
1-7	2-7	3-7	4-7	5-7

(a) Character font

		b i t							
		7	6	5	4	3	2	1	0
Byte	1st	1-1	2-1	3-1	4-1	5-1	1-2	2-2	3-2
	2nd	4-2	5-2	1-3	2-3	3-3	4-3	5-3	1-4
	3rd	2-4	3-4	4-4	5-4	1-5	2-5	3-5	4-5
	4th	5-5	1-6	2-6	3-6	4-6	5-6	1-7	2-7
	5th	3-7	4-7	5-7	"0"	"0"	"0"	"0"	"0"

(b) Font data

Example of write-in character "1" in UF0.

Control and data strings 03H, FCH, 23H, 08H, 42H, 15H, C0H.

(a) Character

		b i t							
		7	6	5	4	3	2	1	0
Byte	1st	0	0	1	0	0	0	1	1
	2nd	0	0	0	0	1	0	0	0
	3rd	0	1	0	0	0	0	1	0
	4th	0	0	0	1	0	0	0	1
	5th	1	1	0	0	0	0	0	0

(b) Font data

"1" : Turn ON
 "0" : Turn OFF

FIG.3 Defining User's Font

It is recommended to store these definable characters at the initializing of module.

All these data will remain into the RAM and the client can display user's original font on VFD module.

There is no back-up system of this RAM, therefore, it is needed to restore these data when power off.

(2) DIM (Dimming) :

Brightness can be controled into four level by using this function.
 After writing 04H, another HEX byte mentioned under is written to change the brightness out put.

1 byte + 1 byte
 (DIM command code),04H Dimming level data

Dimming Level	Data
1 0 0 %	FF H
6 0 %	6 0 H
4 0 %	4 0 H
2 0 %	2 0 H

(3) BS (Back Space) :

The write-in position is shifted to the left one digit.
 (beyond this point, the position of write-in position is identical with write-in position of the display, unless otherwise specified. Under DC8 MODE, the write-in position will not show up.)

When the write-in position is on the most significant digit of the third row, the write-in position moves to the least significant digit of the second row.

When the write-in position is on the most significant digit of the first row, the write-in position moves to the least significant digit of the fourth row.

(4) LF (Line Feed) :

When the write-in position is in the fourth row, the character displayed second to fourth row, is shifted up, leaving the write-in position at its present position, then the fourth row is cleared.

When the write-in position is in first to third row, the write-in position moves down to under row staying on the same line.

(5) CR (Carriage Return) :

The write-in position moves to the most significant digit of the same row.

(6) DP (Display Position) :

Instead of writing the character from the first digit, the write-in starting position can be pointed by using this function.

After writing 10HEX to prepare module for this command, another HEX byte is written to specify the position desired.

A third byte representing data is then sent.

	The most significant digit	The least significant digit
1st row	0 0 HEX	1 3 HEX
2nd row	1 4 HEX	2 7 HEX
3rd row	2 8 HEX	3 B HEX
4th row	3 C HEX	4 F HEX

(7) DC1 (Normal Display Mode) :

After writing a character, the write-in position is shifted to the right one digit automatically.

When the write-in position is on the least significant digit of the first to third row, the write-in position moves to the most significant digit of the under row.

When the character is displayed on the least significant digit of the fourth row, the write-in position is on the same digit.

And the character code is written in the module next, first, all digits are cleared, second, the character is displayed on the most significant digit of the first row and the write-in position moves to the next digit.

When the power is turn on, this DC1 MODE is selected, and will be held until another mode is selected.

(8) DC2 (Vertical Scroll Mode) :

After writing the characters up to the least significant digit of the fourth row, all the characters displayed in the second to fourth row are shifted to the upper row, clearing the fourth row.

(9) R S T (Reset) :

Resetting the module.

All the characters displayed are erased, then the write-in position (cursor position) is set on the most significant digit of the first row. The displaying status is the same as the hardware Reset, but the font data of UF0~2 is kept.

The display mode is set for DC1.

3-2. SELF-TEST

TEST=Low "0" (connector pin #16 is connected to GND.) starts the self-test. Then the display shows characters.

3-3. POWER ON RESET

When the module is turned on, the display and the memory are cleared and the module is initialized.

The display mode is set for DC2.

3-4. SELECTION OF INPUT MODE

TABLE-6 shows the combinations of the signal lines for the parallel or serial input.

Users must choose one of the combinations.

Unused signal lines are to be open (internally pulled up).

• Serial Input

Users must choose one of combinations.
 When serial input is selected, J5 must be short.
 Baud rate is selected by J1~J3.

J 1
 J 2 } baud rate select
 J 3

J 1	short	open	short	open
J 2	short	short	open	open
J 3 short	1200 (bps)	2400	4800	9600
J 3 open	7812.5	15625	31250	62500

FIG. 4 BAUD RATE SELECTION

NOTE) When the module is shipped, J1, J2, J3 and J5 are open.

4) INTERFACE CONNECTION

4-1. CONNECTOR PINCONNECTION

Connector : XG8B-2031 (OMRON) or equivalent

Socket : 3421-6000SC (3M) or equivalent

PIN NO.	SIGNAL	SERIAL IN	PARALLEL IN	PIN NO.	SIGNAL	SERIAL IN	PARALLEL IN
1	D7	NC	○	2	+5V	○	○
3	D6	NC	○	4	〃	○	○
5	D5	NC	○	6	〃	○	○
7	D4	NC	○	8	GND	○	○
9	D3	NC	○	10	〃	○	○
11	D2	NC	○	12	〃	○	○
13	D1	NC	○	14	〃	○	○
15	D0	NC	○	16	TEST	○	○
17	\overline{WR}	NC	○	18	\overline{SEL}	NC	○
19	RXD	○	NC	20	BUSY	○	○

NC : NO-CONNECTION

TABLE-6 CONNECTOR PINCONNECTION